

SUMMIT

SUMMIT CLASSIC

FREESTANDING STOVE FOR LARGE SPACES

Crafted for maximum heating capacity, with Extended Burn Technology for the longest burn time, the Summit is the wood stove of choice for bigger spaces and colder nights that will welcome you in the morning with a warm, glowing fire.

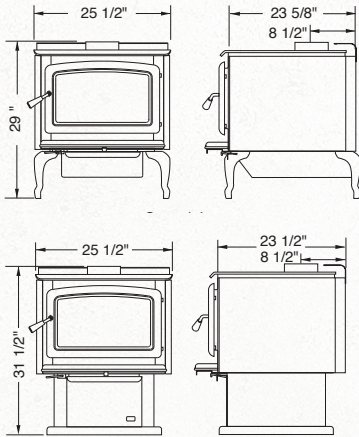
Heat Output Cord Wood **99,000 BTU**

38,500 BTU EPA Test Fuel

EFFICIENCY (LHV)	80.5%
EMISSIONS	3.9 GM/HR.
LOG SIZE (MAX)	18-20 INCHES
FIREBOX SIZE	3.0 CU.FT.
GLASS SIZE	166 SQ.IN.

WEIGHT

SUMMIT	407 LB.
SUMMIT CLASSIC	400 LB.



SUMMIT



SUMMIT CLASSIC

FEATURES

- EPA Certified
- Reliable durable non-catalytic technology
- Extended Burn Technology (EBT2)
- Single-lever air control
- Air wash system for super clean ceramic glass
- Inside and outside combustion air capable
- Floating firebox for extended stove life
- Easy and safe front to back fuel loading
- Heavy plate-steel top under decorative top
- 304 Stainless Steel Baffle, insulation cover, rails and flame shield
- Boost air for easy lighting
- Mobile home approved

DESIGN OPTIONS

- SUMMIT**
 - Legs: choice of three finishes
 - Pedestal base
 - Arched door: choice of three finishes
 - Metallic black finish
- SUMMIT CLASSIC**
 - Legs: choice of three finishes
 - Arched door: choice of three finishes
 - Porcelain enamel: choice of three colors
 - Decorative trivet: choice of two finishes

PERFORMANCE OPTIONS

- 125 cfm temperature actuated variable-speed blower
- Easy-to-use ash disposal system (optional on Summit; included with Summit Classic)



AIR WASH
A SYSTEM BY PACIFIC ENERGY



BAFFLE SYSTEM



EBT2 EXTENDED BURN TECHNOLOGY



FLOATING FIREBOX



KNIFE EDGE DOOR



SELF SEALING ASH DUMP



SINGLE LEVER AIR CONTROL

METALLIC BLACK

EBONY

IVORY

SUNSET RED

For reference only. Installations should be based on installation manuals. Specifications subject to change.