

GAS INSERT

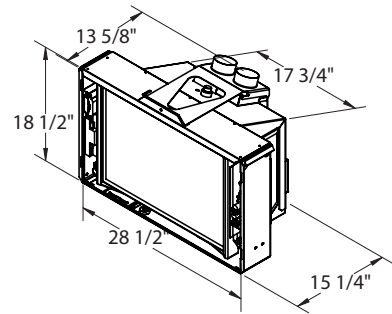
TOFINO *i20M*



Shown with: Modern Black Front, Split Log Burner Media, Black Porcelain Panels

20,000 BTU High
10,000 BTU Low
Energuide Efficiency 71.3% (P.4.1 20,000 btu/hr)

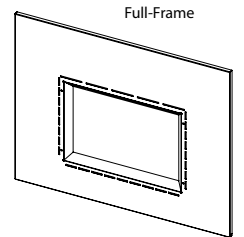
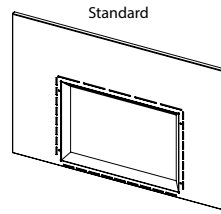
Unit Dimensions



Standard Features

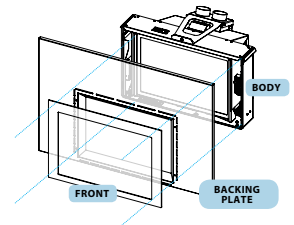
- Maxitrol GV60 Valve system
- Radiant Heat
- Low Battery Consumption
- Remote Control or Manual Operation
- Integrated Stainless Steel Micro-Mesh Safety Screen
- Burner Base (Burner Media package sold separately)
- Design-A-Fire Interior Options
- No-Tool Decorative Front Installation
- Multiple Decorative Front Options
- Integrated Leveling System
- Easy Venturi and Flue Damper Adjustment
- Easy Access to Module, valve, and gas shut off
- Centered side-by-side venting, 3x3 collinear
- NG or LP Dedicated Units

Backing Plates



Regular: 38" (w) x 26" (h)
Oversize: 42" (w) x 28" (h)

35 1/4" (w) x 27 1/8" (h)



For reference only. Installations should be based on manuals and rating labels. Specifications subject to change.

BURNER MEDIA



Split Log



Black Glass



Twilight Glass

FIREBOX PANELS



Ledgestone



Red Brick



Grey Fluted



Black Porcelain

DECORATIVE FRONTS



Artisan Black



Artisan Brushed Nickel



Modern Black



Modern Brushed Nickel

